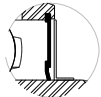


# SUCSPM 200

Normal-Duty Pillow Block  
Setscrew Lock

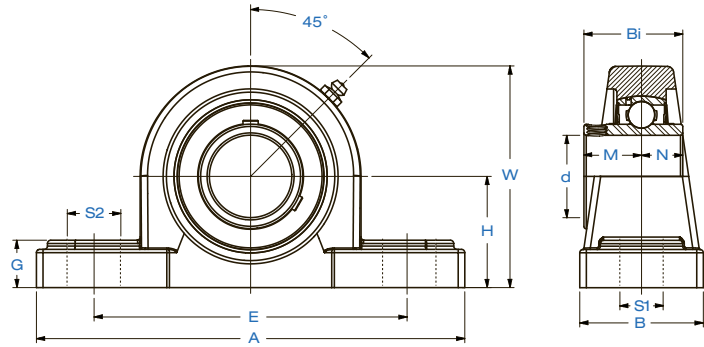
Seal  
Styles



Standard Seal  
with Flinger



Triple-Lip  
L3 Seal



Bearing Number	Shaft Dia.	Dimensions in. mm.											Bolt Used	Load Rating lbs. kN.		Bearing Insert	Housing Number	Wt. lbs. kg.		
	d in. mm.	H	A	E	B	S2	S1	G	W	Bi	N	M		in. mm.	Dynamic Cr				Static Cor	
SUCSPM 201	12																	SUC 201		
SUCSPM 201-8	1/2																	SUC 201-8		
SUCSPM 202	15																	SUC 202		
SUCSPM 202-10	5/8	1.313	4.94	3.75	1.46	0.75	0.51	0.59	2.52	1.2205	0.5000	0.7205	3/8	2,331	1,142		SUC 202-10	SPM 204	1.5 0.7	
SUCSPM 203	17	33.3	125.5	95.0	37.0	19.0	13.0	15.0	64.0	31.0	12.7	18.3	M10	10.37	5.08		SUC 203			
SUCSPM 204-12	3/4																SUC 204-12			
SUCSPM 204	20																SUC 204			
SUCSPM 205-14	7/8																	SUC 205-14		
SUCSPM 205-15	15/16	1.438	5.44	4.13	1.48	0.75	0.51	0.63	2.78	1.3425	0.5630	0.7795	3/8	2,542	1,349		SUC 205-15	SPM 205	1.8 0.8	
SUCSPM 205	25	36.5	138.5	105.0	37.5	19.0	13.0	16.0	70.5	34.1	14.3	19.8	M10	11.31	6.00		SUC 205			
SUCSPM 205-16	1																SUC 205-16			
SUCSPM 206-17	1 1/16																	SUC 206-17		
SUCSPM 206-18	1 1/8																	SUC 206-18		
SUCSPM 206	30	1.689	6.46	4.75	1.84	0.83	0.67	0.67	3.27	1.5000	0.6260	0.8740	1/2	3,554	1,942		SUC 206	SPM 206	2.1 1.0	
SUCSPM 206-19	1 3/16	42.9	164.0	121.0	47.0	21.0	17.0	17.0	83.0	38.1	15.9	22.2	M14	15.81	8.64		SUC 206-19			
SUCSPM 206-20	1 1/4																SUC 206-20			
SUCSPM 207-20	1 1/4																	SUC 207-20		
SUCSPM 207-21	1 5/16																	SUC 207-21		
SUCSPM 207-22	1 3/8	1.875	6.56	5.00	1.88	0.83	0.67	0.69	3.66	1.6890	0.6890	1.0000	1/2	4,683	2,626		SUC 207-22	SPM 207	3.3 1.5	
SUCSPM 207	35	47.6	167.0	127.0	47.5	21.0	17.0	17.5	93.0	42.9	17.5	25.4	M14	20.83	11.68		SUC 207			
SUCSPM 207-23	1 7/16																SUC 207-23			
SUCSPM 208-24	1 1/2																	SUC 208-24		
SUCSPM 208-25	1 9/16	1.938	7.19	5.38	2.11	0.83	0.67	0.71	3.92	1.9370	0.7480	1.1890	1/2	5,294	3,057		SUC 208-25	SPM 208	4.4 2.0	
SUCSPM 208	40	49.2	183.0	137.0	53.5	21.0	17.0	18.0	99.5	49.2	19.0	30.2	M14	23.55	13.60		SUC 208			
SUCSPM 209-26	1 5/8																SUC 209-26			
SUCSPM 209-27	1 11/16	2.125	7.40	5.75	2.11	0.83	0.67	0.79	4.15	1.9370	0.7480	1.1890	1/2	5,923	3,507		SUC 209-27	SPM 209	5.8 2.6	
SUCSPM 209-28	1 3/4	54.0	188.0	146.0	53.5	21.0	17.0	20.0	105.5	49.2	19.0	30.2	M14	26.35	15.60		SUC 209-28			
SUCSPM 209	45																SUC 209			
SUCSPM 210-30	1 7/8																	SUC 210-30		
SUCSPM 210-31	1 15/16	2.250	8.00	6.25	2.34	0.98	0.79	0.88	4.43	2.0315	0.7480	1.2835	5/8	6,402	4,046		SUC 210-31	SPM 210	6.1 2.8	
SUCSPM 210	50	57.2	204.0	159.0	59.5	25.0	20.0	22.0	112.5	51.6	19.0	32.6	M16	28.48	18.00		SUC 210			
SUCSPM 210-32	2																SUC 210-32			
SUCSPM 211-32	2																	SUC 211-32		
SUCSPM 211-34	2 1/8	2.500	8.56	6.75	2.31	0.98	0.79	0.91	4.92	2.1890	0.8740	1.3150	5/8	7,931	5,036		SUC 211-34	SPM 211	7.8 3.5	
SUCSPM 211	55	63.5	217.5	171.0	59.0	25.0	20.0	23.0	125.0	55.6	22.2	33.4	M16	35.28	22.40		SUC 211			
SUCSPM 211-35	2 3/16																SUC 211-35			
SUCSPM 212-36	2 1/4																	SUC 212-36		
SUCSPM 212	60	2.750	9.41	7.25	2.72	0.98	0.79	0.98	5.35	2.5630	1.0000	1.5630	5/8	9,554	5,921		SUC 212	SPM 212	9.8 4.4	
SUCSPM 212-38	2 3/8	69.9	239.0	184.0	69.0	25.0	20.0	25.0	136.0	65.1	25.4	39.7	M16	42.50	26.34		SUC 212-38			
SUCSPM 212-39	2 7/16																SUC 212-39			

**MARINER®**